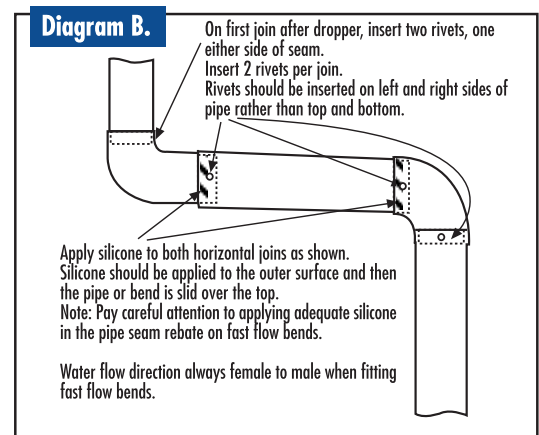
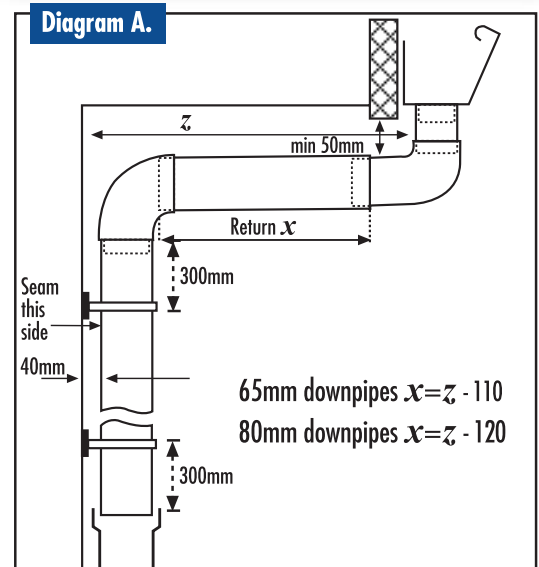


DOWNPIPE Installation Guide

1. Down Pipe should be cut using tin snips or hack saw.
All cuts should be at 90 degrees to the pipe when installing fast flow bends.
2. All burrs should be removed with a file.
3. To work out the cut length of each pipe see diagram A.
4. Assemble down pipes as shown in diagram B.
5. Fix down pipes as shown in Diagram A.

TIPS FOR INSTALLING DOWN PIPES

- For the best presentation all pipes should be installed plumb and all returns perpendicular to the wall.
- When fixing to Poly/Plaster, Solid Plaster or any other cladding system where the fixing penetrates the cladding, the holes must be siliconed.
- Single story down pipe drops require 2 brackets as shown in Diagram A. On multi story drops, brackets should be equally spaced at approx 2.5 metre intervals.
- Do not drain copper down pipes or spouting onto coloured steel, zinc/ume, galvanised, stainless steel or aluminium roofs.
- Spreaders should be in accordance with E2AS1 and Local Authority requirements.
- Pipes should be fitted so that seams are not visible when viewing the installation. See Diagram A.
- When fitting pipes over droppers only apply pressure directly under dropper. Do not attempt to fit pipe over dropper by applying pressure to main pipe as this could damage the installation.
- Downpipes should finish between 5mm & 10mm below riser lip, to allow for easy debris removal.



This information sheet is issued as a general guide only and should not be treated as a substitute for detailed technical advice in relation to individual circumstances. Auckland Continuous Spouting disclaim any liability for loss or damage suffered from the use of such data, except liability under the Consumer Guarantees Act 1993. To the best of our knowledge all information is correct at time of printing.

As part of Auckland Continuous Spouting's policy of continued product improvement, the company reserves the right, at any time, at their discretion and without notice to discontinue or change the features, designs, materials, colours and any other specifications of their product and to either permanently or temporarily withdraw any such products from the market without incurring any liability.



For further information phone **0800 50 1993**
www.continuous.co.nz

WE MADE IT FIRST • WE MAKE IT LAST